

◆ Features

Non-polarized with wide temperature range $-55^{\circ}\text{C}\sim+105^{\circ}\text{C}$

Load life of 1000 hours

RoHS & REACH compliant, Halogen-free



◆ Specifications

Temperature: $-55^{\circ}\text{C} \sim +105^{\circ}\text{C}$

Load life: 1000hours

Voltage: 6.3~50V DC

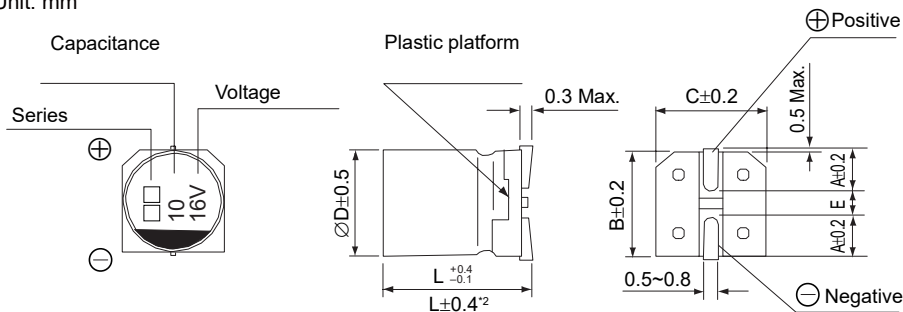
Capacitance: 0.1 ~ 47uF

Tolerance: $\pm 20\%$ at 120Hz, 20°C

Size: 4x5.4, 5x5.4, 6.3x5.4

◆ Drawing of HKP Series

Unit: mm



1. Voltage mark for 6.3V is [6V]