

## ◆ Features

Low leakage current (0.5~3.3 $\mu$ A max.)

Low cost for replacement of some tantalum applications

RoHS & REACH compliant, Halogen-free



## ◆ Specifications

Temperature: -40°C ~ +85°C

Load life: 2000hours

Voltage: 6.3~50V DC

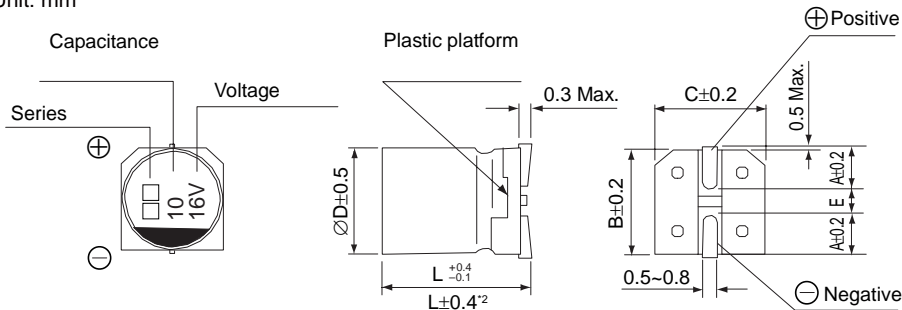
Capacitance: 0.1 ~ 220 $\mu$ F

Tolerance:  $\pm$ 20% at 120Hz, 20°C

Size: 4x5.4, 5x5.4, 6.3x5.4, 6.3x7.7

## ◆ Drawing of HSC Series

Unit: mm



1. Voltage mark for 6.3V is [6V]

2. Applicable to  $\varnothing 6.3 \times 7.7$