

HVD Series 105°C Low Impedance Long life SMD Aluminum Electrolytic Capacitor

◆ Features

- Extra lower impedance with temperature range -55~+105 °C
- Load life of 2000~5000 hours
- RoHS & REACH compliant, Halogen-free

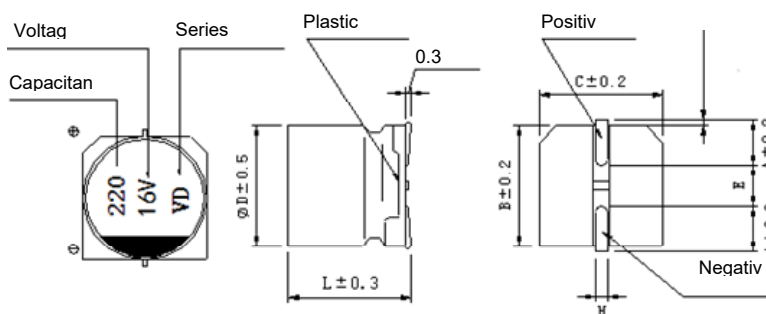


◆ Specifications

Items	Characteristics						
Operating Temperature Range	-55°C ~ 105°C						
Rated Voltage Range	6.3 V ~ 50V						
Nominal Capacitance Range	1 ~ 8200 μF						
Nominal Capacitance Tolerance	±20% (20°C, 120Hz)						
Leakage Current	I ≤ 0.01CRVR or 3(μA) Whichever is greater After 2 minutes' application of rated voltage. CR: Nominal Capacitance (μF) UR: Rated voltages (V)						
	UR (V)	6.3	10	16	25	35	50
tgδ Dissipation Factor (Max) 20°C, 120Hz	tgδ	0.26(0.28)	0.20(0.24)	0.16(0.20)	0.14(0.16)	0.12(0.14)	0.12(0.14)
	When nominal capacitance exceeds 1000uF, add 0.02 to the value above for each 1000uF increase.						

◆ Drawing of Series HVD

φ4~φ6.3



φ8~φ18

