

# RGR Series, Radial Aluminum Electrolytic Capacitors, 85C Standard General Products

◎85°C, standard size.

◎Used in color TV, display, VCD sets, audio sets, etc.

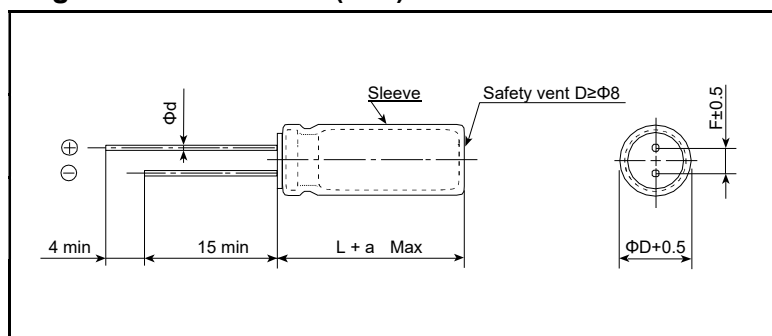
## How to order

RGR	338	M	016	01250250	050	B	000	-	Additional characters maybe added for special requirements
Type	Capacitance code	Tolerance	Rated Voltage	Size Code	Pitch	Package	Lead Length		
<b>RGR</b> <b>RGL</b> <b>RB2</b> <b>RM2</b>	pF Code: 1st two digits represent significant figures 3rd digit represents multiplier (number of zeros to follow) 107 = 100uF 108 = 1000uF 338 = 3300uF	K: -10%~+10% L: -15%~+15% M: -20%~+20% P: 0%~+100% Q: -10%~+30% R: 0%~+20% T: -10%~+50% U: -10%~+75% V: -10%~+20% H: -5%~+20% Y: 0%~+30%	Code 016: 16VDC For DC Voltage 006: 6.3VDC 016: 16VDC 035: 35VDC 200: 200VDC 450: 450VDC	Code 01250250: Size 12.5*25mm 00500110: Size 5*11mm 00630110: Size 6.3*11mm 01250250: Size 12.5*25mm 01600250: Size 16*25mm	Axial: 000 2.0: 020 2.5: 025 3.5: 035 5.0: 050 7.5: 075	B: BULK T: AMMO TAPED	Standard: 000 Cut Lead Length: 3.0mm: 030 3.5mm: 035 4.0mm: 040 4.5mm: 045 5.0mm: 050		

## Specifications

Item	Characteristics											
Operating temperature range	-40~+85°C						-25~+85°C					
Rated voltage range	6.3V~100V DC						160V~450V DC					
Nominal capacitance tolerance	0.1μF~33000μF											
Capacitance tolerance	±20% (120Hz·20°C)											
leakage current (20°C)	WV ≤ 100V I ≤ 0.01CV or 3 μA after 2 minutes (whichever is greater)											
	WV > 160V I ≤ 0.03CV + 10μA after 3 minute											
Dissipation factor (120Hz·20°C)	I: Leakage current C: Nominal capacitance V: Rated voltage											
	Rated voltage(V)	6.3	10	16	25	25	50	63	100	160~250	350~450	
	tgδ	0.24	0.20	0.17	0.15	0.12	0.10	0.10	0.08	0.20	0.24	
When capacitance is more than 1000μF, tgδ will add 0.02 per 1000μF addition.												
Low temperature characteristics (Impedance ratio max. at 120Hz)	Rated voltage(v)	6.3	10	16	25	35	50	63	100	60~25	160~250	
	Z-25°C/Z+20°C	6.3	10	16	25	35	50~100		160~250	350~400	450	
	Z-40°C/Z+20°C	5	4	3	2	2	2		3	6	15	
Load Life	After applying rated for 2000 hours at 85°C then resumed 16 hours:											
	Capacitance change	Within ±20% of the initial measured value										
	tgδ	≤200% of the initial specified value										
	Leakage current	≤initial specified value										
Shelf Life	After storage for 1000 hours at 85°C then resumed 16 hours:											
	Capacitance change	Within ±20% of the initial measured value										
	tgδ	≤200% of the initial specified value										
	Leakage current	≤initial specified value										

## Diagram of Dimensions(mm)

	φD	5	6.3	8	10	13	16	18	22
	F±0.5	2.0	2.5	3.5	5.0	5.0	7.5	7.5	10
	φd±0.05	0.5		0.6		0.8			
	α	(L<20) 1.5 (L≥20) 2.0							

**Multiplier for Ripple Current vs. Frequency:**

WV(V)	CAP(uF)/Hz	50(60)	120	1K	≥10K
≤100	CAP<100	0.75	1.00	1.57	2.00
	100≤CAP<1000	0.80	1.00	1.34	1.50
	CAP≥1000	0.85	1.00	1.10	1.15
≥160	CAP<1000	0.85	1.00	1.40	1.50

**Multiplier for Ripple Current vs. Temperature:**

Temperature°C	~55	60	70	85
Factor	1.65	1.50	1.30	1.00

**Standard Ratings**

WV(Code)		6.3V(006)		10V(010)		16V(016)		25V(025)		35V(035)		50V(050)		63V(063)	
C(uf)	Code	φD×L	R.C.	φD×L	R.C.	φD×L	R.C.	φD×L	R.C.	φD×L	R.C.	φD×L	R.C.	φD×L	R.C.
0.1	104											5×11	1.5	5×11	1.5
0.22	224											5×11	2.9	5×11	2.9
0.33	334											5×11	4.3	5×11	4.3
0.47	474											5×11	6.2	5×11	6.2
1	105											5×11	12	5×11	12
2.2	225											5×11	25	5×11	25
3.3	335											5×11	35	5×11	35
4.7	475							5×11	31	5×11	40	5×11	42	5×11	42
10	106					5×11	40	5×11	45	5×11	58	5×11	65	5×11	70
22	226			5×11	60	5×11	75	5×11	85	5×11	90	5×11	100	5×11	105
										6.3×11	55				
33	336	5×11	65	5×11	75	5×11	85	5×11	95	5×11	105	5×11	125	6.3×11	135
47	476	5×11	80	5×11	95	5×11	115	5×11	120	5×11	135	6.3×11	150	6.3×11	190
68	686	5×11	100	5×11	120	5×11	135	6.3×11	160	6.3×11	160	6.3×11	200	8×12	230
100	107	5×11	130	5×11	140	5×11	160	6.3×11	190	6.3×11	230	8×12	260	8×12	300
														10×13	318
220	227	5×11	220	5×11	230	6.3×11	280	8×12	330	8×12	390	10×12	330	10×16	605
330	337	6.3×11	280	6.3×11	322	6.3×11	310	8×12	410	10×12	480	10×16	425	10×20	810
470	477	6.3×11	350	6.3×11	384	8×12	470	10×12	540	10×16	610	10×20	590	13×21	1023
680	687	8×12	490	8×12	546	10×12	620	10×16	720	10×20	924	13×21	750	13×25	1400
1000	108	8×12	610	8×12	680	10×16	790	10×20	950	13×21	1150	13×25	960	16×25	1700
								10×21	950						
				10×12	790			13×20	1151	16×25	1432			16×32	1770
1500	158	10×12	780	10×16	875	10×20	1000	13×21	1130	13×25	1400	16×25	1350	16×30	1820
2200	228			10×16	990										
		10×16	890	10×20	1100	13×21	1350	13×25	1550	16×25	1700	16×35	2100	18×36	2200
3300	338	10×20	1350	13×21	1400	13×25	1700	16×25	1700	16×32	1980	18×36	2400	22×40	2550
4700	478	13×21	1420	13×25	1800	16×25	2100	16×32	2400	18×36	2600	22×40	2850		
6800	688	13×25	1820	16×25	2250	16×32	2550	18×36	2700	22×40	3210				
10000	109	16×25	2120	16×30	2400	18×36	2700	22×40	3620						
15000	159	16×36	2680	16×36	2950	22×40	3850								
22000	229	18×40	3150	22×40	3710										
33000	339	22×40	3900												

Permit ripple current : (mArms, 85°C, 120HZ)

ase size: φ D×L (mm)

**Standard Ratings**

WV(Code)		100V(100)		160V(160)		200V(200)		250V(250)		350V(350)		400V(400)		450V(450)	
C(uf)	Code	φD×L	R.C.	φD×L	R.C.	φD×L	R.C.	φD×L	R.C.	φD×L	R.C.	φD×L	R.C.	φD×L	R.C.
0.47	474	5×11	10					5×11	12	6.3×11	8	6.3×11	8	6.3×11	8
1	105	5×11	22	6.3×11	17	6.3×11	17	6.3×11	17	6.3×11	16	6.3×11	16	8×12	16
2.2	225	5×11	33	6.3×11	30	6.3×11	30	6.3×11	20	8×12	30	8×12	47	8×12	40
3.3	335	5×11	40	6.3×11	36	6.3×11	36	6.3×11	43	8×12	46	8×12	55	10×12	54
4.7	475	5×11	48	6.3×11	46	8×12	51	8×12	73	10×12	63	8×12	73	10×16	72
10	106	6.3×11	75	8×12	82	8×12	83	10×12	92	10×16	105	10×16	120	10×20	98
22	226	6.3×11	130	10×16	150	10×16	155	10×16	105	13×21	160	13×21	230	13×25	202
33	336	8×12	170	10×20	240	10×20	190	10×20	135	13×25	230	16×25	345	16×25	271
47	476	10×12	230	10×20	307	13×21	230	13×21	210	16×25	270	16×25	437	16×30	355
68	686	10×16	288	13×21	350	13×25	370	13×25	260	16×25	315	16×30	500	18×35	360
100	107	10×20	405	13×25	541	16×25	460	16×25	390	18×32	405	18×35	720		
150	157	13×21	520	16×25	560	16×32	580	16×32	450	18×36	455				
220	227	13×21	630	16×32	850	18×32	750	18×36	600						
		12×25	821												
330	337	13×25	760	18×32	890	18×36	940								
470	477	16×25	1000	18×36	1180	18×40	1330								
680	687	16×36	1350												
1000	108	18×36	1600												

 Permit ripple current : (mA<sub>rms</sub>, 85°C, 120HZ)

Case size: φD×L (mm)