

# RHP Series, Snap-in terminal high temperature

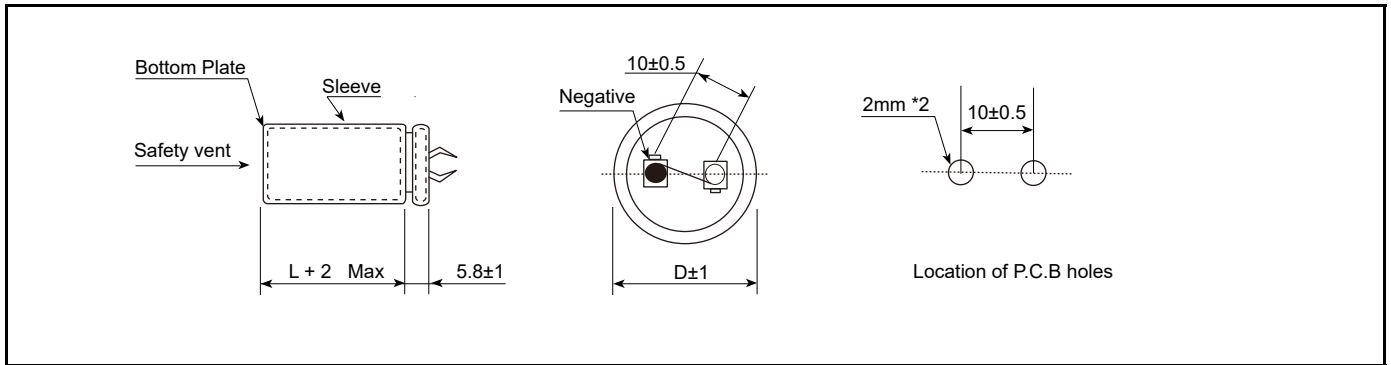
- ◎ Load life of 2000hours at 105°C, snap-in terminal.
- ◎ Used in filtering circuit of color TV, computer and home appliance.

## How to order

RHP	338	M	016	01250250	050	B	000	-
↓	↓	↓	↓	↓	↓	↓	↓	↓
Type	Capacitance code	Tolerance	Rated Voltage	Size Code	Pitch	Package	Lead Length	Additional characters maybe added for special requirements
RHP RRL RGR RGL RB2 RM2	pF Code: 1st two digits represent significant figures 3rd digit represents multiplier (number of zeros to follow) 107 = 100uF 108 = 1000uF 338 = 3300uF	K: -10%~+10% L: -15%~+15% M: -20%~+20% P: 0%~+100% Q: -10%~+30% R: 0%~+20% T: -10%~+50% U: -10%~+75% V: -10%~+20% H: -5%~+20% Y: 0%~+30%	Code 016: 16VDC For DC Voltage 006: 6.3VDC 016: 16VDC 035: 35VDC 200: 200VDC 450: 450VDC	Code 01250250: Size 12.5*25mm 00500110: Size 5*11mm 00630110: Size 6.3*11mm 01250250: Size 12.5*25mm 01600250: Size 16*25mm	Axial: 000 2.0: 020 2.5: 025 3.5: 035 5.0: 050 7.5: 075	B: BULK T: AMMO TAPED	Standard: 000 Cut Lead Length: 3.0mm: 030 3.5mm: 035 4.0mm: 040 4.5mm: 045 5.0mm: 050	

## Specifications

Items	Characteristics										
Operating temperature range	-40~+105°C					-25~+105°C					
Rated voltage range	10V~100V DC					160V~500V DC					
Nominal capacitance tolerance	47μF~56000μF										
Capacitance tolerance	±20% (120Hz·20°C)										
leakage current(20°C)	I≤3√CV after 5minute										
	I: Leakage current C: Nominal capacitance V: Rated voltage										
Dissipation factor (120Hz·20°C)	Less than the value under table (%)										
	Cap(uf)\Rated voltage(V)	10~16	25~35	50~63	80~100	160~250	315~500				
	47~390	—	—	—	15	15	20				
	470~3900	25	20	20	20	15	20				
	4700~8200	35	30	30	25	—	—				
	10000~22000	40	35	30	—	—	—				
	27000~47000	45	40	35	—	—	—				
Low temperature characteristics (Impedance ratio max. at 120Hz)	Rated voltage(v)	10	16	25	35	50	63	80	100	160~250	315~450
	Z—25°C/Z+20°C	5	5	4	4	4	3	3	3	6	8
	Z—40°C/Z+20°C	15	15	15	15	15	15	15	12	—	—
Endurance	After applying rated for 2000 hours at 105°C then resumed 16 hours:										
	Capacitance change	Within ±20% of the initial measured value									
	tgδ	≤200% of the initial specified value									
	Leakage current	≤initial specified value									
Shelf life	After storage for 1000 hours at 105°C then resumed 16 hours:										
	Capacitance change	Within ±20% of the initial measured value									
	tgδ	≤200% of the initial specified value									
	Leakage current	≤initial specified value									

**Diagram of Dimensions(mm)**

**Multiplier for Ripple Current vs. Frequency:**

CAP(μF)\Hz	50(60)	120	1K	10-50K
10-100V	0.90	1.00	1.15	1.25
160-250V	0.80	1.00	1.25	1.47
315-500V	0.80	1.00	1.30	1.47

**Multiplier for Ripple Current vs. Temperature:**

Temperature°C	45	60	85	95	105
Factor	2.1	1.9	1.4	1.25	1

**Standard Ratings**

WV(Code)		10V(010)		16V(016)		25V(025)		35V(035)		50V(050)					
C(uf)	Code	φD×L	R.C.	φD×L	R.C.	φD×L	R.C.	φD×L	R.C.	φD×L	R.C.				
1500	158									20×25	1.15				
1800	188									20×30	1.39				
										22×25	1.34				
2200	228									20×35	1.60				
										22×30	1.60				
2700	278							20×25	1.29	20×35	1.73				
										22×30	1.70				
										25×25	1.70				
3300	338							20×30	1.57	20×40	1.97				
										22×25	1.45				
										22×25	1.45				
3900	398					20×25	1.58	20×35	1.78	22×40	2.22				
												25×30	2.20		
												30×25	1.95		
4700	478					20×30	1.65	20×40	2.02	22×45	2.43				
												22×35	2.02		
												25×25	1.62		
5600	568			20×25	1.68	20×35	1.85	22×35	2.13	22×50	2.75				
														25×40	2.72
														30×30	2.64
6800	688	20×25	1.31	20×30	1.80	20×40	2.11	22×40	2.41	25×45	3.30				
				22×25	1.75	22×35	2.09	25×35	2.31	30×35	3.30				
						25×25	1.87	30×25	2.31	35×30	3.25				

Permit ripple current : (Arms, 105°C, 120HZ)

Case size: φD×L (mm)

**Standard Ratings**

WV(Code)		10V(010)		16V(016)		25V(025)		35V(035)		50V(050)	
C(uf)	Code	φD×L	R.C.	φD×L	R.C.	φD×L	R.C.	φD×L	R.C.	φD×L	R.C.
8200	828	20×30	1.59	20×35	2.08	22×40	2.31	22×50	2.85	30×40	3.60
				22×30	2.00	25×30	2.34	25×40	2.73	35×35	3.6
						30×25	2.16	30×30	2.75		
10000	109	20×30	1.88	20×40	2.15	22×45	2.65	25×45	3.05	30×50	4.05
		22×25	1.77	22×30	2.10	25×35	2.61	30×35	3.05	35×40	4.04
				25×25	2.05	30×30	2.61				
12000	129	20×35	2.18	30×25	2.30	22×50	2.80	25×50	3.37	35×45	4.56
		22×30	2.10	22×35	2.31	25×40	2.81	30×40	3.23		
		25×25	1.94	25×30	2.30	30×30	2.74	35×30	3.19		
15000	159	20×40	2.27	22×40	2.68	25×45	3.27	30×45	3.72	35×50	4.77
		22×35	2.23	25×35	2.58	30×35	3.13	35×35	3.67		
		25×30	2.10	30×30	2.57	35×30	3.26				
18000	189	22×40	2.41	22×50	3.20	30×40	3.56	35×40	4.37		
		25×30	2.34	25×40	3.16	35×35	3.84				
		30×25	2.25	30×30	2.98						
22000	229	22×45	2.58	25×45	3.36	30×45	4.04	35×45	4.92		
		25×35	2.54	30×35	3.30	35×35	3.75				
		30×30	2.50	35×30	3.25						
27000	279	22×50	3.17	25×50	3.85	35×45	4.74				
		25×40	3.07	30×40	3.80						
		30×30	2.95	35×35	3.93						
33000	339	25×45	3.39	30×45	4.30	35×50	5.50				
		30×35	3.33	35×35	4.27						
		35×30	3.21								
39000	399	30×40	3.70	30×50	4.81						
		35×35	3.68	35×40	4.80						
47000	479	30×45	4.22	35×45	5.53						
		35×40	4.16								
56000	569	35×50	5.00								

WV (Code)		63(063)		80(080)		100(100)		160(160)		180(180)			
C(uf)	Code	φD×L	R.C.	φD×L	R.C.	φD×L	R.C.	φD×L	R.C.	φD×L	R.C.		
220	227									20×25	0.81		
270	277							20×25	0.87	20×30	0.95		
										22×25	0.97		
330	337							20×30	1.02	20×35	1.09		
										22×25	1.03	22×30	1.13
390	397							20×35	1.15	20×35	1.28		
										22×30	1.32	22×30	1.33
470	477							20×40	1.25	20×40	1.34		
										22×30	1.39	22×35	1.39
										25×25	1.29	25×30	1.43

Permit ripple current : (Arms, 105°C, 120HZ)

Case size: φD×L (mm)

**Standard Ratings**

WV (Code)		63(063)		80(080)		100(100)		160(160)		180(180)							
C(uf)	Code	φD×L	R.C.	φD×L	R.C.	φD×L	R.C.	φD×L	R.C.	φD×L	R.C.						
560	567					20×25	0.95	22×35	1.46	22×40	1.65						
								25×30	1.49	25×30	1.53						
										30×25	1.56						
680	687					20×30	1.15	22×40	1.64	22×45	1.76						
								22×25	1.09	25×35	1.70						
										30×25	1.63	30×30	1.74				
820	827			20×25	1.04	20×35	1.31	22×45	1.85	22×50	1.97						
								22×30	1.32	25×40	1.92						
										30×30	1.91	30×30	1.93				
1000	108	20×25	1.10	20×30	1.24	20×35	1.43	25×45	2.17	25×45	2.24						
								22×30	1.47	30×35	2.19	30×35	2.24				
												22×25	1.19	25×25	1.45	35×30	2.20
1200	128	20×30	1.20	20×35	1.43	20×40	1.61	25×50	2.43	30×40	2.53						
								22×25	1.20			22×30	1.44	22×35	1.69	30×40	2.48
														25×30	1.68	35×30	2.25
1500	158	20×35	1.47	20×35	1.57	22×40	1.97	30×45	2.82	30×50	3.03						
								22×30	1.47			22×30	1.59	25×35	1.98	35×35	2.62
1800	188	20×35	1.58	20×40	1.77	22×45	2.23	30×50	3.13	35×40	2.97						
								22×30	1.58			22×35	1.79	25×40	2.20	35×45	3.25
										25×25	1.52						
2200	228	20×40	1.80	22×40	2.03	25×45	2.53	35×45	3.34	35×50	3.62						
												22×35	1.82	25×35	1.98	30×35	2.55
2700	278	22×40	2.07	22×45	2.39	25×50	2.82										
								25×35	2.11	25×40	2.35	30×40	2.86				
														30×25	1.72	30×30	2.35
3300	338	22×45	2.33	25×45	2.64	30×45	3.30										
								25×35	2.27	30×35	2.61	35×35	3.25				
														30×30	2.24	35×30	2.47
3900	398	25×40	2.51	25×50	2.92	30×50	3.60										
								30×40	2.82	35×40	3.67						
												30×35	2.55	35×30	2.97		
4700	478	25×50	2.91	30×45	3.34	35×45	3.80										
								30×40	2.86	35×35	3.38						
												35×30	2.80				
5600	568	30×40	3.22	30×50	3.80	35×50	4.05										
								35×35	3.20	35×40	3.80						
6800	688	30×50	3.65	35×45	3.90												
						35×40	3.65										
8200	828	35×45	4.04	35×50	4.20												
10000	109	35×50	4.48														

Permit ripple current : (Arms, 85°C, 120HZ)

Case size: φD×L (mm)



**Standard Ratings**

WV(Code)		200V(200)		220V(220)		250V(250)		315V(315)		350V(350)	
C(uf)	Code	φD×L	R.C.	φD×L	R.C.	φD×L	R.C.	φD×L	R.C.	φD×L	R.C.
68	686									20×25	0.41
82	826							20×25	0.39	20×30	0.45
100	107							20×30	0.45	20×30	0.51
										22×25	0.53
120	127							20×30	0.54	20×35	0.59
										22×25	0.56
150	157					20×25	0.71	20×35	0.64	20×40	0.70
								22×30	0.66	22×35	0.73
								25×25	0.65	25×30	0.73
180	187			20×25	0.81	20×30	0.82	20×40	0.75	22×40	0.83
								22×35	0.78	25×30	0.80
220	227	20×25	0.83			22×25	0.84	25×30	0.71	30×25	0.81
				20×30	0.94	20×35	0.95	22×40	0.89	22×45	0.94
				22×25	0.94	22×30	0.97	25×30	0.85	25×35	0.92
270	277	20×30	0.97	20×35	1.10	20×40	1.08	22×45	1.01	22×50	1.07
		22×25	0.99	22×30	1.09	22×35	1.11	25×35	0.98	25×40	1.05
						25×30	1.15	30×30	1.01	30×30	1.03
330	337	20×35	1.17	20×40	1.18	22×40	1.26	22×50	1.14	25×45	1.24
		22×30	1.20	22×35	1.24	25×30	1.26	25×40	1.12	30×35	1.24
		25×25	1.20	25×25	1.14	30×25	1.31	30×35	1.21	35×30	1.18
390	397	20×40	1.27	20×45	1.33	22×45	1.41	25×45	1.31	25×50	1.38
		22×35	1.30	22×35	1.30	25×35	1.42	30×35	1.30	30×40	1.39
		25×25	1.34	25×30	1.26	30×30	1.50	35×30	1.23	35×35	1.39
470	477	22×40	1.44	22×40	1.41	22×50	1.58	30×40	1.53	30×45	1.57
		25×30	1.44	25×30	1.39	25×40	1.61				
		30×25	1.48	30×25	1.37	30×30	1.61	35×35	1.47	35×35	1.50
560	567	22×45	1.60	22×45	1.60	25×45	1.80	30×45	1.65	30×50	1.75
				25×35	1.56	30×35	1.84				
		25×35	1.60	30×30	1.61						
30×30	1.60	35×25	1.52								
680	687	22×50	1.75	25×40	1.75	25×50	2.03	35×45	1.96	35×45	1.96
		25×40	1.76	30×35	1.76	30×40	2.09				
		30×30	1.74	35×30	1.72	35×30	1.96				
820	827	25×45	2.10	25×45	1.97	30×45	2.35	35×50	2.19		
		30×35	2.11	30×40	2.06	35×35	2.26				
		35×30	2.10	35×30	1.95						
1000	108	25×50	2.36	30×45	2.44	30×50	2.64				
		30×40	2.40	35×35	2.20	35×40	2.57				
		35×35	2.30			30×40	2.40				
1200	128	30×45	2.69	35×40	2.37	35×45	2.88				
		35×35	2.53								

Permit ripple current : (Arms, 85°C, 120HZ)

Case size: φD×L (mm)

**Standard Ratings**

WV(Code)		200V(200)		220V(220)		250V(250)		315V(315)		350V(350)	
C(uf)	Code	φD×L	R.C.	φD×L	R.C.	φD×L	R.C.	φD×L	R.C.	φD×L	R.C.
1500	158	35×40	2.97	35×45	2.64						
1800	188	35×50	3.45								

WV(Code)		385V(385)		400V(400)		420V(420)		450V(450)		500V(500)	
C(uf)	Code	φD×L	R.C.	φD×L	R.C.	φD×L	R.C.	φD×L	R.C.	φD×L	R.C.
47	476							20×25	0.36	22×25	0.35
56	566	20×25	0.37	20×25	0.40	20×25	0.40	20×30	0.41	22×26	0.38
								22×25	0.42		
68	686	20×30	0.44	20×30	0.48	20×30	0.48	20×35	0.47	22×30	0.45
		22×25	0.45	22×25	0.49	22×25	0.5	22×30	0.50		
								25×25	0.50		
82	826	20×30	0.50	20×30	0.54	20×35	0.53	20×40	0.53	22×35	0.54
		22×30	0.52	22×30	0.56	22×30	0.56	22×35	0.56		
						25×25	0.56	25×30	0.57		
100	107	20×35	0.56	20×35	0.60	20×35	0.61	22×40	0.64	22×36	0.56
		22×30	0.58	22×30	0.62	22×30	0.67	25×30	0.69		
		25×25	0.57	25×25	0.61	25×25	0.67	30×25	0.69		
120	127	20×40	0.66	20×40	0.71	20×45	0.71	22×45	0.72	22×40	0.64
		22×35	0.68	22×35	0.73	22×35	0.73				
		25×30	0.68	25×30	0.73	25×30	0.72	25×35	0.71		
						30×25	0.75	30×30	0.77		
150	157	22×40	0.79	22×40	0.85	22×45	0.86	22×50	0.80	25×40	0.76
		25×30	0.78	25×35	0.85	25×35	0.83	25×40	0.82		
		30×25	0.75	30×25	0.79	30×25	0.83	30×30	0.85		
180	187	22×45	0.89	22×45	0.95	22×50	1.02	25×45	0.93	30×35	0.86
		25×35	0.86	25×35	0.92	25×40	0.94				
		30×30	0.88	30×30	0.95	30×30	0.95	30×35	0.97		
						35×25	0.90				
220	227	22×50	1.01	22×50	1.08	25×45	1.13	25×50	1.05	30×40	0.79
		25×40	1.00	25×40	1.05	30×35	1.09	30×40	1.10		
		30×30	1.00	30×35	1.24	35×30	1.05	35×30	1.01		
270	277	25×45	1.13	25×50	1.29	25×50	1.37	30×45	1.25	30×45	1.12
		30×40	1.14	30×40	1.30	30×40	1.25				
		35×30	1.10	35×30	1.18	35×35	1.25	35×35	1.26		
330	337			30×40	1.43						
		30×45	1.31	30×45	1.47	30×45	1.49	30×50	1.42		
		35×35	1.32	35×35	1.41	35×35	1.42	35×40	1.44		
390	397	30×50	1.48	30×50	1.64	30×50	1.67	35×45	1.61		
		35×40	1.48	35×40	1.59	35×40	1.61				
470	477	35×45	1.76	35×45	1.90	35×45	1.86	35×50	1.80		
560	567	35×50	1.95	35×50	2.09						

Permit ripple current : (Arms, 85°C, 120HZ)

Case size: φD×L (mm)